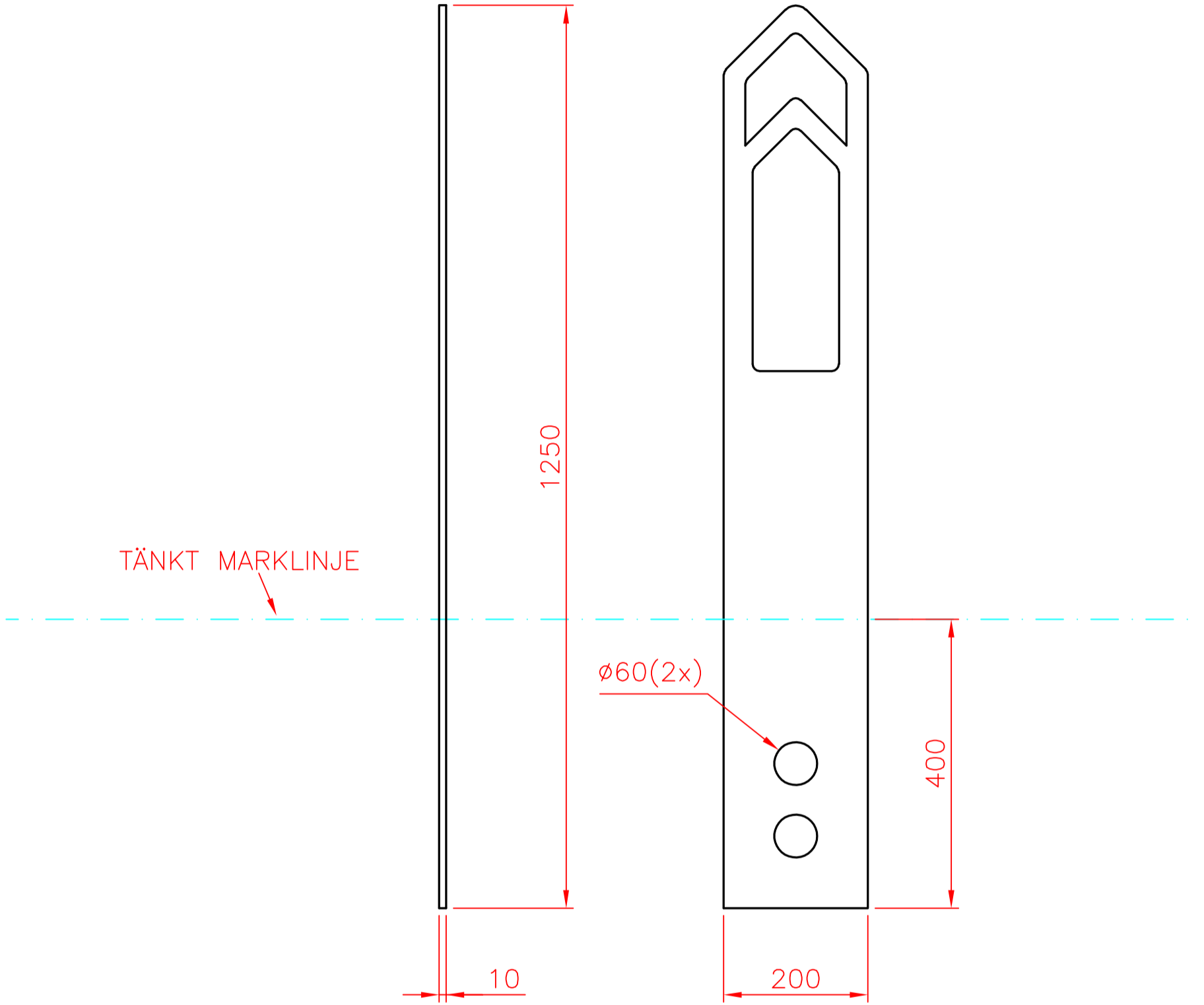


Nr.	Ant.	Ändring och/eller medd.-nr	Datum	Inf.	Godk.
-----	------	----------------------------	-------	------	-------



WELAND ALUMINIUM AB
 This document must not be copied without our written permission and the contents thereof must not be imparted to a third party nor be used for any unauthorized purpose. Contravention will be prosecuted.

—	—	—	10mm STÅL		FZV	—
Det.nr	Ant.	Benämning		Material	Mod.nr.ämne dimension	Anm.
Konstr. —	Ritad AL	Kop. —	Kontr. —	Stand. —	Format A4	Skala 1:10
WELAND UTEMILJÖ BJÖRNSTORPSVÄGEN 2 TFN 0472-44500 342 30 ALVESTA					Generell tolerans SS-ISO 2768-m	
					Objektnummer —	Datum 150120
BÅGE RAMLÅS GEMINI FÖR NERGJUTNING (396110123096)					Ritningsnummer BÅGE RAMLÅS GEMINI	Rev. —